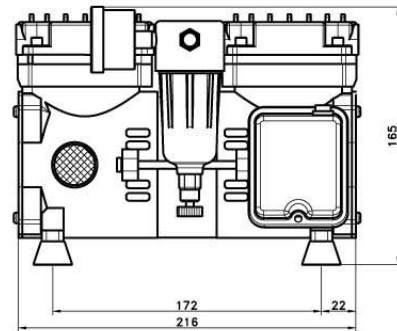
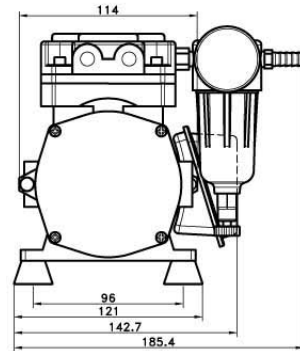


Rocker 400 Oil-free Vacuum Pump



Dimension Diagram

Unit: mm
Model: Rocker 400



Specification

Model	Rocker 400		
Power	110-120V/60Hz	220-240V/50Hz	
Max. power consumption (W)	100	80	
Max. current (A)	1.0	0.4	
Max. vacuum	-650mmHg=85.5kPa=110torr		
Vacuum	0mmHg	37 l/min=1.31CFM	34 l/min=1.2CFM
	100mmHg	34 l/min=1.2CFM	31 l/min=1.09CFM
	200mmHg	32 l/min=1.13CFM	29 l/min=1.02CFM
	300mmHg	27 l/min=0.95CFM	23 l/min=0.81CFM
	400mmHg	23 l/min=0.81CFM	19 l/min=0.67CFM
	500mmHg	15 l/min=0.53CFM	13 l/min=0.46CFM
	600mmHg	5 l/min=0.17CFM	4 l/min=0.14CFM
Motor rotation	1750RPM	1450RPM	
Capacitor	10uf/250v	3uf/450v	
Horse power	1/6HP		
Pole	4P		
Net wet	5.2kg		
Gross weight	6.2kg		
Port thread	5/16"		
Noise Level	50dB		
Cat. No.	167400-11	167400-22	

• PS: 100mm Hg=13.33kpa, 1l/min=0.035CFM